

Reference Combination Manual/Automated Cleaning and Disinfection Instructions (Section H) of the Instructions for Care, Cleaning, Maintenance and Sterilization Manual (97-5000-170-00). Do not utilize the optional ultrasonic cleaning note in Section H.



## Persona® Shims

42-5279-001-01\_04

42-5279-003-01\_04

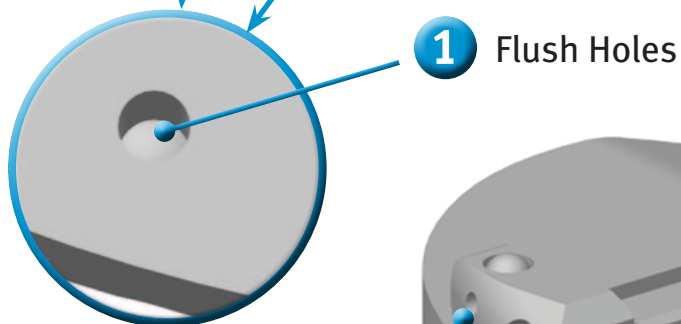
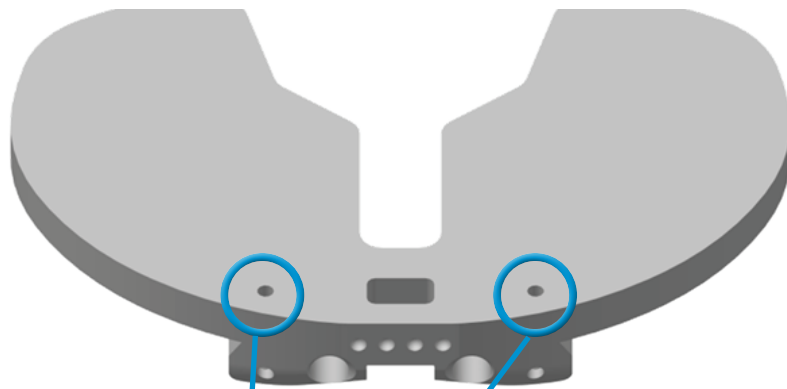
42-5279-005-01\_04

42-5279-007-01\_04

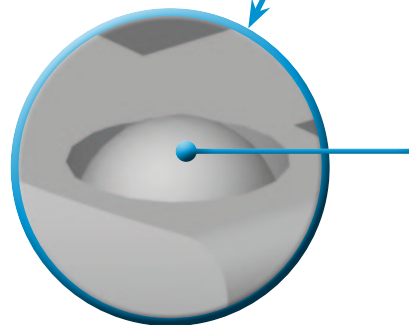
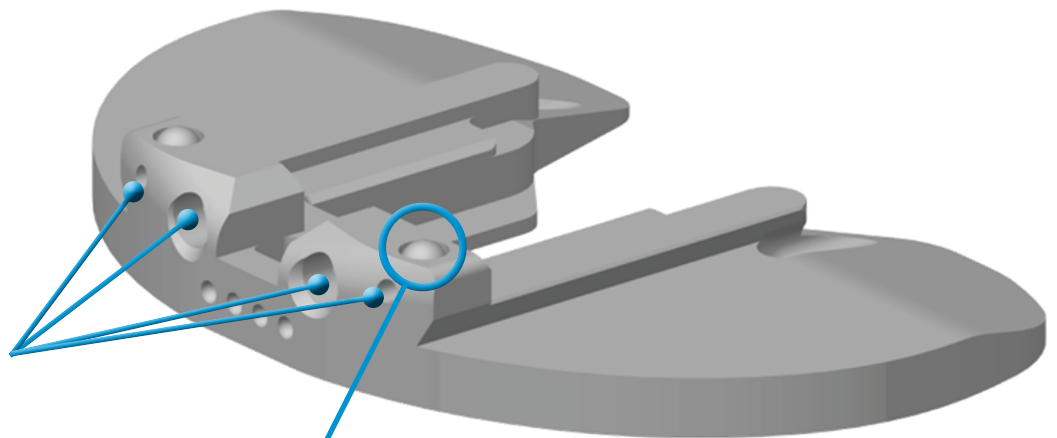
42-5279-009-01-04

Cleaning Instructions

Do not ultrasonic clean



2 Flush Through Holes



### Flush and Brush Ball Detents

Inspect the shim to ensure ball bearings are present. If ball bearings are missing, do not use the device and contact your Zimmer representative for a replacement.

97-5026-062-00 Rev. 2 Printed in USA ©2015 Zimmer, Inc.